

Emer.-Exit light

Notausgangsleuchten
Eclairage des sorties



LEDs
Leuchtdioden
Diode Luminescente




SLOAN
PRECISION OPTOELECTRONICS



Based LEDs
Gesockelte LEDs
LED à Culot






Request your desired Sloan product catalogue

Fordern Sie Ihre gewünschten Sloan-Produktkataloge an

Demandez les catalogues de produits Sloan de votre choix

Indicator Lights
Signalleuchten
Voyants Lumineux

SLOAN
PRECISION OPTOELECTRONICS



LED Profile
LED Profile
Profilé à LED




LED Module
LED Module
Modules LED





Illumination for Emergency Exits in Tunnel

Application: Tunnel
Industry
Architectur

Emergency Exit Light
Alarm system
Underground car park

Benefits: Long lifetime
Impact strength IK09
IP66 certified
EMC compatible



LED Tube Light, green (rear cable inlet)

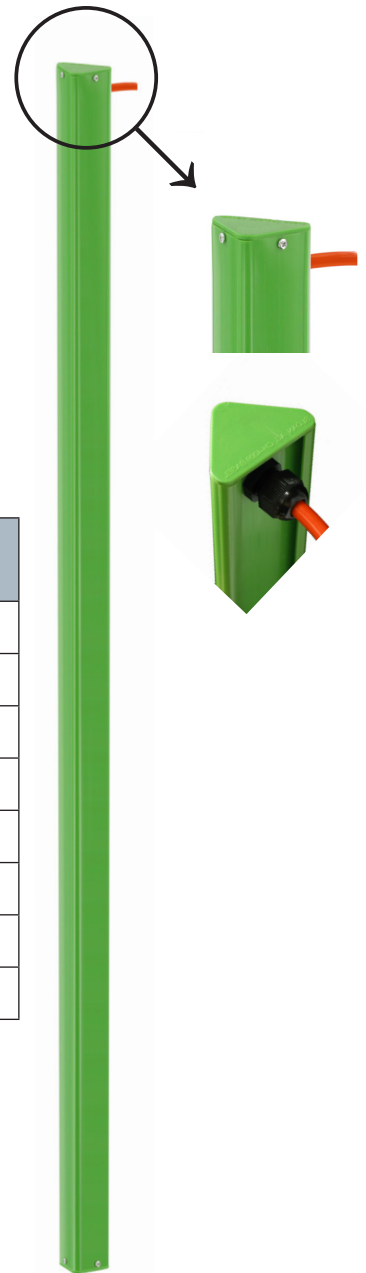
Material

- Profile: Makrolon DP1-1853
UL 94V-0 (halogen free)
Colour RAL 6018
- Wire: Roflex 2 x 1.5mm², Ø8mm

Certificates

- EMC compatible (EN 61000-6-2:2001 / EN 61547:1995)
- IP66 certified (IEC 60529:01)
- Impact Strength IK09 (EN 60079-0:2004)
- Operating Temperature -30°C ~+85°C

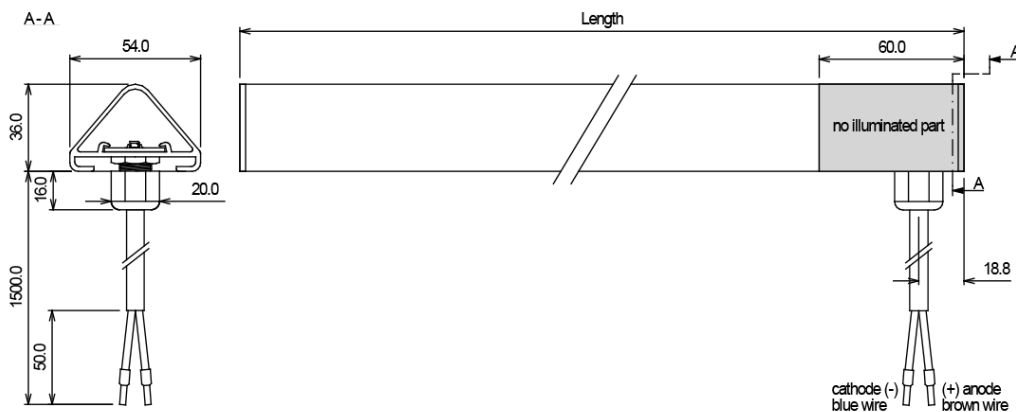
Part-Number	Old Part-No.	Length mm	Voltage V	Current mA	Power W
SLO-C101-00016	200 05 600-0150	440	24	180	4.32
SLO-C101-00005	200 05 601-0150	840	24	380	9.12
SLO-C101-00006	200 05 602-0150	1240	24	580	19.92
SLO-C101-00008	200 05 603-0150	1640	24	780	18.72
SLO-C101-00009	200 05 604-0150	2040	24	980	23.52
SLO-C101-00013	200 05 605-0150	2440	24	1180	28.32
SLO-C101-00014	200 05 606-0150	2840	24	1380	33.12
SLO-C101-00015	200 05 607-0150	3240	24	1580	37.92



Other lengths?

- other cable length on request
- max. profile length 3240mm

Dimensions



1. All dimensions are in millimetres
2. Tolerance is ±0.25mm unless otherwise specified
3. Specifications are subject to change without notice

LED Tube Light, green (lateral cable inlet)

Material

- Profile: Makrolon DP1-1853
UL 94V-0 (halogen free)
Colour RAL 6018
- Wire: Roflex 2 x 1.5mm², Ø8mm

Certificates

- EMC compatible (EN 61000-6-2:2001 / EN 61547:1995)
- IP66 certified (IEC 60529:01)
- Impact Strength IK09 (EN 60079-0:2004)
- Operating Temperature -30°C ~+85°C

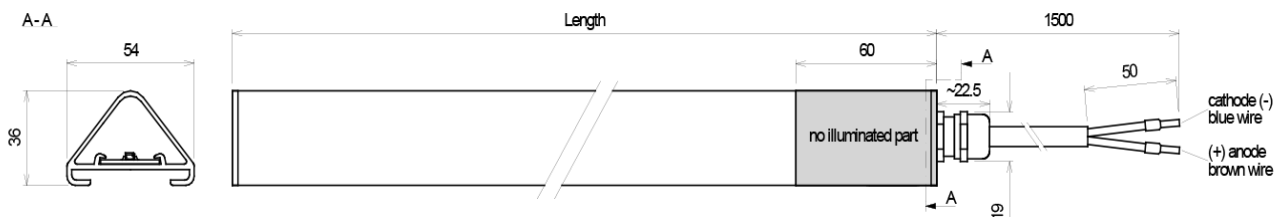
Part-Number	Old Part-No.	Length mm	Voltage V	Current mA	Power W
SLO-C101-00017	200 05 700-0150	440	24	180	4.32
SLO-C101-00018	200 05 701-0150	840	24	380	9.12
SLO-C101-00019	200 05 702-0150	1240	24	580	19.92
SLO-C101-00020	200 05 703-0150	1640	24	780	18.72
SLO-C101-00021	200 05 704-0150	2040	24	980	23.52
SLO-C101-00022	200 05 705-0150	2440	24	1180	28.32
SLO-C101-00023	200 05 706-0150	2840	24	1380	33.12
SLO-C101-00024	200 05 707-0150	3240	24	1580	37.92



Other lengths?

- other cable length on request
- max. profile length 3240mm

Dimensions

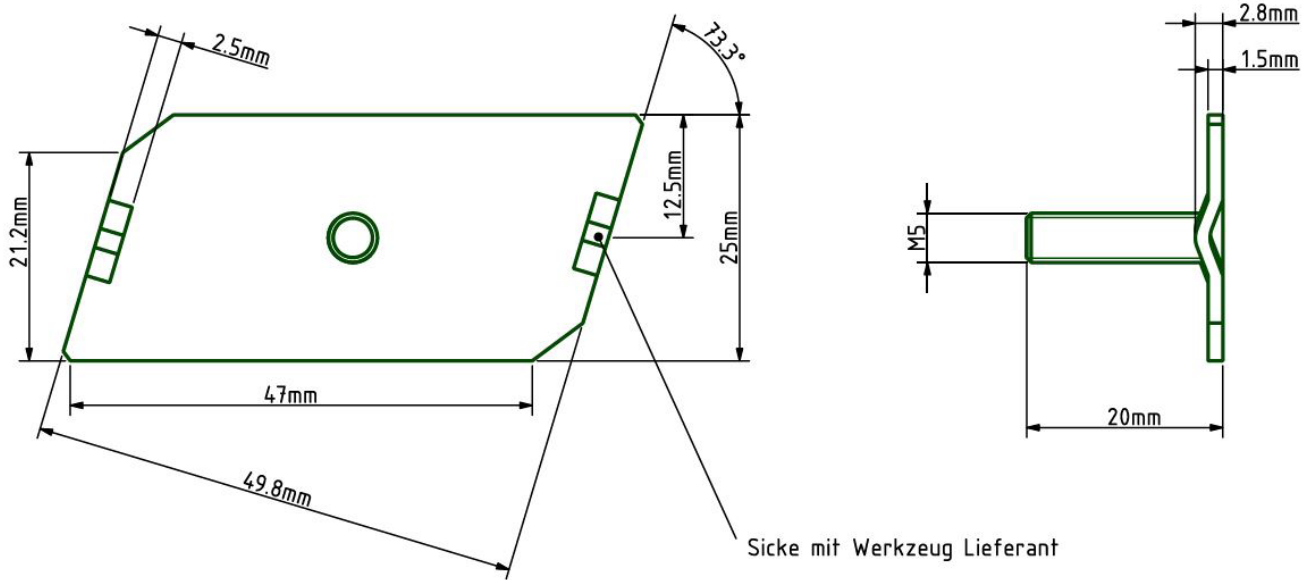


1. All dimensions are in millimetres
2. Tolerance is ±0.25mm unless otherwise specified
3. Specifications are subject to change without notice

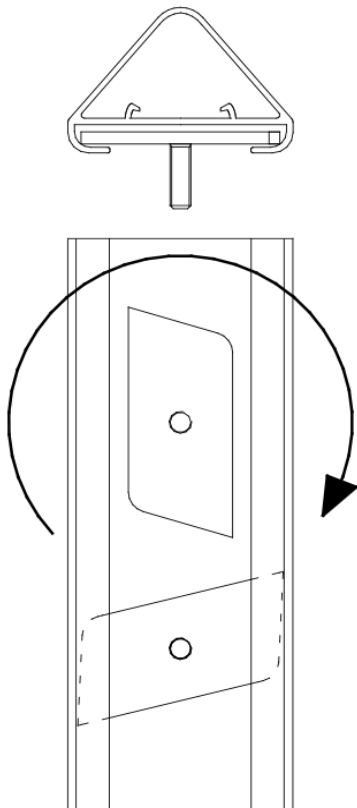
Profile-Fixation

Part-Number: SLO-4300-00003 **Old Part-No.:** 200 05 110

Material: Steel V4A 1.4301 (Stainless steel)



Mounting example



1. All dimensions are in millimetres
2. Tolerance is $\pm 0.25\text{mm}$ unless otherwise specified
3. Specifications are subject to change without notice

Power LED Flasher, white

Material

- Housing: INOX V4A 1.4571 (Stainless steel)
- Cover: Glas
- Wire: Roflex 2 x 1.5mm², Ø8mm
- Colour: white, typ. 6500°K



Certificates

- EMC compatible (EN 61000-6-2:2001) / (EN 61547:1995)
- IP66 certified (IEC 60529:01)
- Impact Strength IK07 (EN 60068-2-75)

- only for flashing operation

(no continuous operation)

- min. 1Hz (duty cycle max ½)

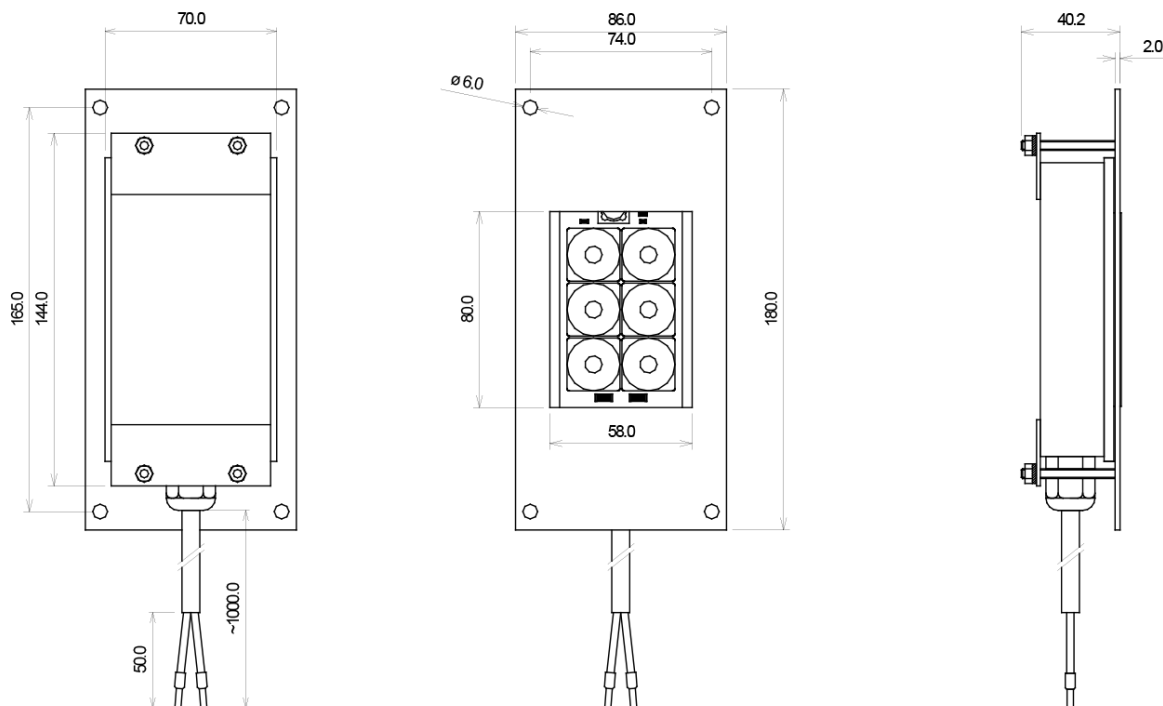
- Operating Temperature -30°C ~+85°C

Part-Number	Old Part-No.	Voltage V	Current mA	Power W
SLO-C101-00002	200 05 500-0100	24	500	12

Other lengths?

- other cable length on request

Dimensions



1. All dimensions are in millimetres
2. Tolerance is ±0.25mm unless otherwise specified
3. Specifications are subject to change without notice

LED module only, white

Material

- PC Board: Alu 2mm
- LED: 6 x 1W PowerLED, typ. 6500°K
P/N: PL1-WL11-00
- Lens: 6 x 12degree Lens Ø26mm
P/N: PL-LENS-14



Certificates

- EMC compatible (EN 61000-6-2:2001) / (EN 61547:1995)

- only for flashing operation

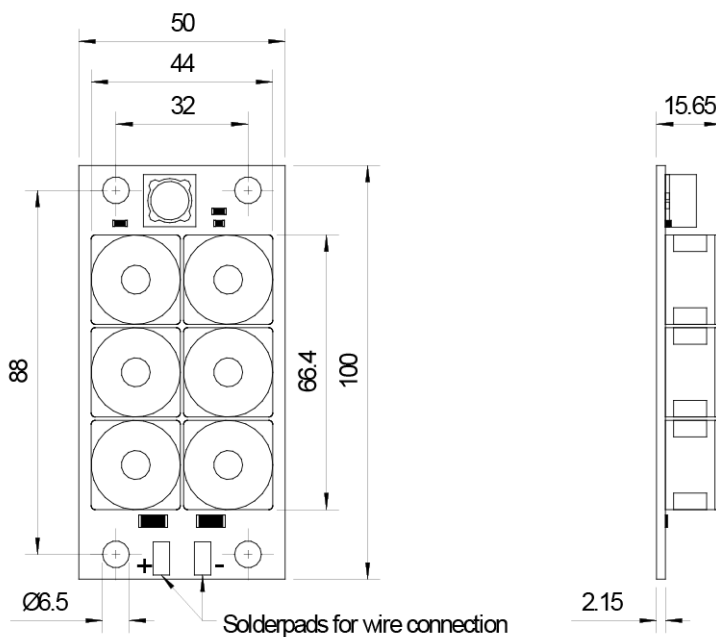
(no continuous operation)

- min. 1Hz (duty cycle max ½)

- Operating Temperature -30°C ~+85°C

Part-Number	Old Part-No.	Voltage V	Current mA	Power W
SLO-6000-00030	200 05 501A	24	500	12

Dimensions



1. All dimensions are in millimetres
2. Tolerance is ± 0.25 mm unless otherwise specified
3. Specifications are subject to change without notice

Example of use



Emergency exit in road tunnel

Major application fields:

Automotive/Special vehicles:

Warning lights, emergency indicators, car immobilizing systems, car factory automation.

Blue LED flashers for Police cars, Diplomacy cars, special forces vehicles.

Consumer electronics:

Microwave ovens, toasters, coffee machines, Irons, refrigerators.

Industrial controls / Traffic controls:

Panel indicators, elevators, photo-processing darkroom lights, traffic control, railway track diagram indicators, power stations.

LED clusters for railway use.

Telecommunication:

PCB line indicators, status indicators, portable communication equipment.

Defence:

Tank/tank missiles, combat aircrafts, mine detectors warning lights, submarine engine control, fire coordination systems for tanks.

28 NATO Numbers.

NATO Manufacturer Code S3643.

French Army „GAM T1“ listed.

Aviation:

Commercial and military, cockpit lights, stewardess call systems.

Security:

Safety control panels surveillance, emergency lights.

Medical:

Fault indicators, sealed indicators for surgery equipment,

blood analyser, nurse-call systems, dentist equipment.

We strive to be a Total Quality company that anticipates and responds to our customer's needs, continuously improving our products and processes.



SIBALCO AG

Birmannsgasse 8

CH-4055 Basel

Switzerland

Tel. +41 (0)61 264 10 10

Fax +41 (0)61 264 10 15

info@sibalco.ch

www.sloan.ch